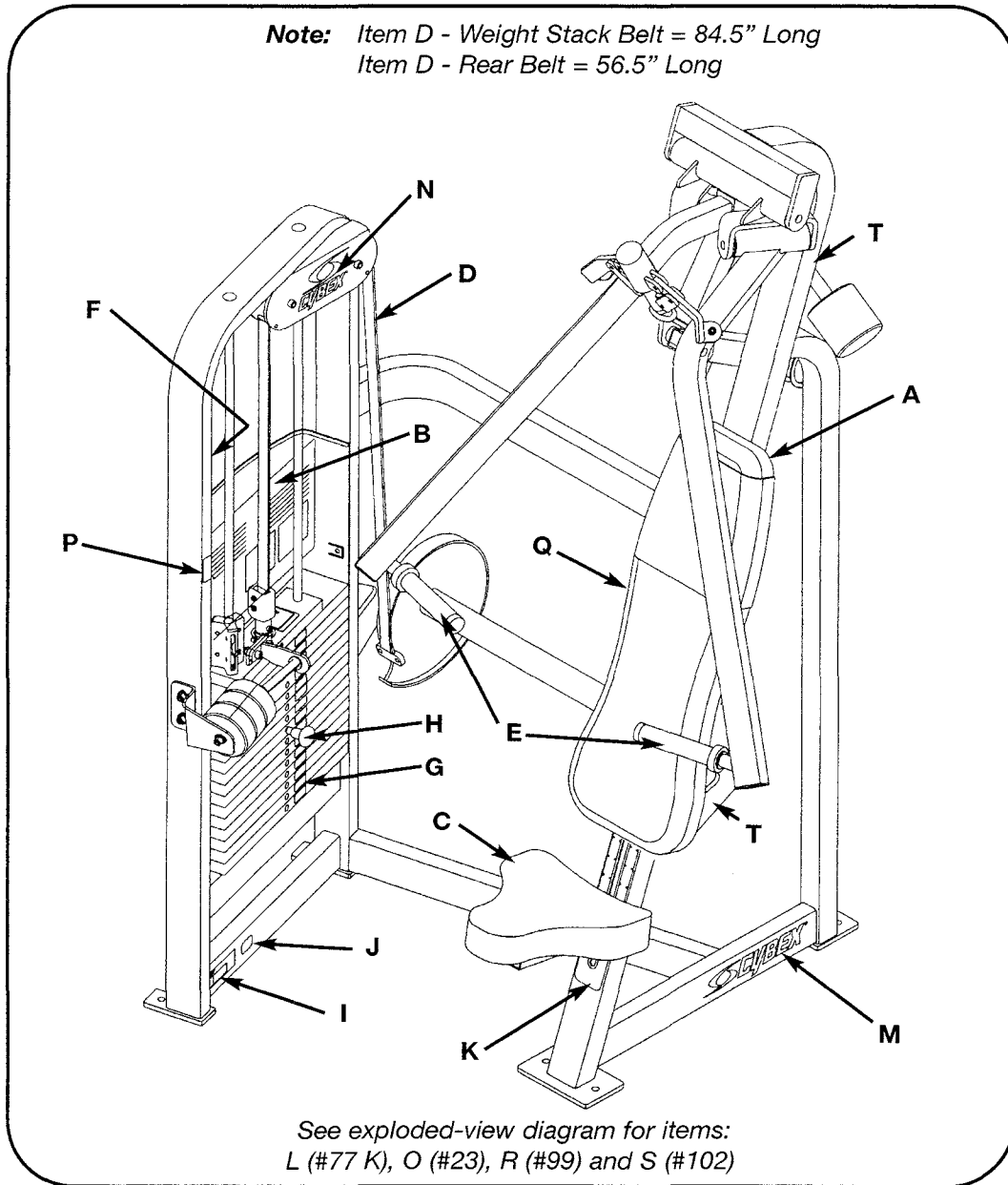


CHEST PRESS - DUAL AXIS

PRODUCT NO. 4507

PARTS LIST



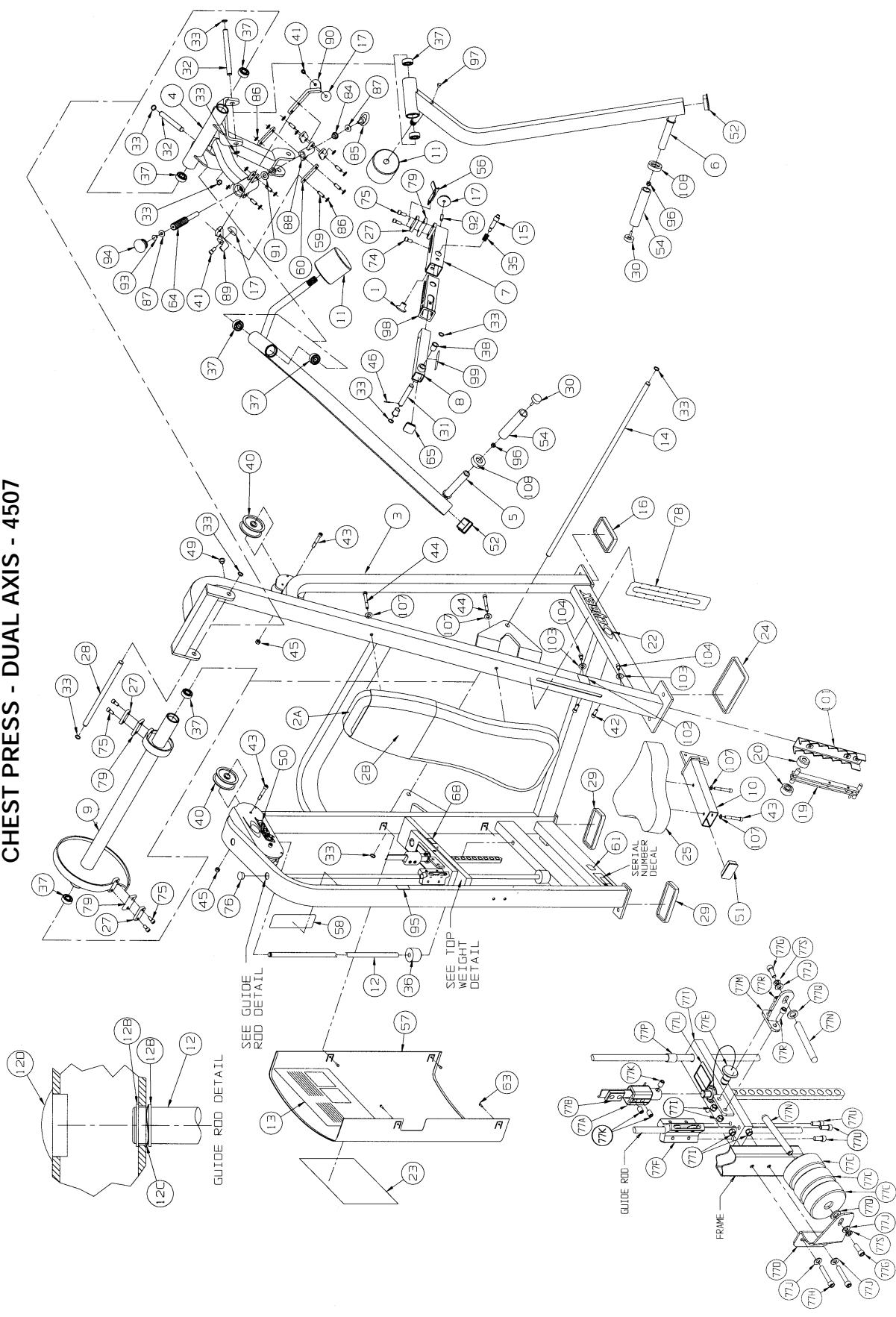
DESCRIPTION	PART NO.	DESCRIPTION	PART NO.
A. Back Cushion w/Wear Cover.....	██████████	L. Caution Decal.....	4605-424
B. Placard Decal.....	4507-598	M. Cybex Decal Blk/Plm	3900-390
C. Seat Cushion.....	4800-026	M. Cybex Decal Wht/Wht...	3900-415
D. Belt.....	GB000202	N. Cybex Decal Blk/Plm	3900-423
E. Grip	4605-500	N. Cybex Decal Wht/Wht...	3900-424
F. Warning Decal.....	4605-381	O. Cybex Decal Blk/Plm	3900-439
G. Weight Plate Decal.....	4605-388	O. Cybex Decal Wht/Wht...	3900-440
H. Weight Selector Pin.....	BH030207	P. Caution Decal	5221-319
I. Serial Number Decal		Q. Wear Cover (Item A).....	██████████
J. Patent Pending Decal ...	CM000211	R. Adjusting Decal	4506-313
K. Seat Adjustment Decal..	5221-316	S. Caution Decal.....	4520-362
		T. Caution Decal.....	4000Y316

4507 - Chest Press - Dual Axis

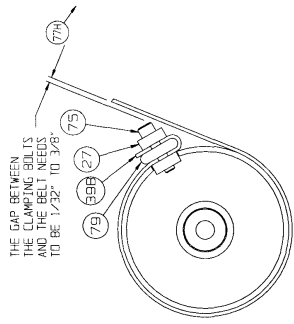
ITEM	QTY	PART NO.	DESCRIPTION
1	1	11040-440	Cybox Knob
2 A	1		Back Cushion w/Wear Cover
2 B	1		Wear Cover
3	1	4506-200	Frame
4	1	4507-204	Bearing Housing
5	1	4505-202	Arm (Right Hand)
6	1	4505-203	Arm (Left Hand)
7	1	4505-212	Adjusting Tube (Outer)
8	1	4506-204	Adjusting Tube (Inner)
9	1	4506-202	Cam
10	1	4505-207	Seat
11	2	4505-318	Counterweight
12	1	4701-021	Weight Stack Guide Rod Set
12 A	2	4505-319	Weight Stack Guide Rod
12 B	4	BR030214	Retaining Ring .625
12 C	2	HS407100	Spring Washer .65 x .79 x .062 T
12 D	2	PN660200	Plastic Insert 1.00 Dia x 11 G
12 E	2	PR060005	Weight Bumper
13	1	4507-598	Placard Decal
14	1	4505-327	Pivot Shaft 35.72
15	1	4505-329	Detent Pin
16	1	PR070001	Rubber Foot Cover 4.84 x 3.09
17	3	4505-331	Bumper 1.50 Dia
18			Removed
19	1	4520-212	Seat Roller
20	2	4520-331	Roller
21			Removed
22			Removed 3/03
22	1	3900-390	Cybox Decal 1.57 Horiz. Blk/Pim
22	1	3900-415	Cybox Decal 1.57 Horiz. Wht/Wht
23			Removed 3/03
23	1	3900-439	Cybox Decal 11.37 Vert. Blk/Pim
23	1	3900-440	Cybox Decal 11.37 Vert. Wht/Wht
24	1	PR070002	Rubber Foot Cover 7.65 x 4.59
25	1	4800-026	Seat Cushion
26			Removed
27	3	4605-300	Belt Clamp
28	1	4605-334	Pivot Shaft 13.06
29	2	PR070003	Rubber Foot Cover 5.25 x 2.00
30	2	4605-550	Plug
31	1	4605-373	Pivot Shaft 4.06
32	2	5220-320	Pivot Shaft 7.06
33	10	BR030210	Retaining Ring 17 mm
34			Not Used
35	1	BS070201	Com Spring .56 ID x .66 OD x 1.50 L
36			Not Used
37	8	FB030232	Radial Bearing 17 mm ID (Ext Race)
38	2	FB130207	Flange Bearing 17 mm x 19 x 22
39 A	84.5"	GB000202	Weight Stack Belt .95" Wide
39 B	56.5"	GB000202	Rear Belt .95" Wide
40	3	GP000209	Pulley Assembly 3.50
41	2	HC702815	SHCS .375-16 x .750
42			Not Used
43	5	HC702830	SHCS .375-16 x 2.50
44	2	HC702834	SHCS .375-16 x 3.00
45			Not Used
46	1	HP266717	Roll Pin .125 x 1.00
47			Removed
48			Not Used
49	1	PN660201	Hole Plug
50	1	3900-423	Cybox Decal 4.85 Vert. Wht/Wht
50	1	3900-424	Cybox Decal 4.85 Vert. Blk/Pim
50			Removed 3/03
51	1	PP090202	Plastic Insert 1.50 x 3.00 x 11 G
52	2	PP090210	Plastic Insert 2.00 Sq x 10-14 G
53			Removed
54	2	4605-500	Grip
55	1	51198	Strength Warranty Sheet (not shown)
56	1	4505-335	Belt Stop Plate
57	1	4505-432	Guard
58	1	4605-381	Warning Decal

ITEM	QTY	PART NO.	DESCRIPTION
59	6	4507-301	Pin
60	4	4507-302	Link Bar
61			Removed
62			Not Used
63	4	HT102214	Tap Screw #10-12 x .625 A (Phil)
64	1	4507-306	Adjustment Screw
65	1	PP090211	Plastic Cap 1.625 ID
66			Not Used
67			Not Used
68	1	4605-388	Weight Plate Decal 10 - 290
69			Not Used
70			Removed
71			Not Used
72			Not Used
73			Not Used
74	1	JC702814	SHCS .375-16 x .625
75	6	HC702822	SHCS .375-16 x 1.50
76			Not Used
77	1	4701-031	Sliding Increment Weight Set
77 A	1	11040-216	Belt Clamp
77 B	1	11040-301	Belt Clamp Insert
77 C	3	4605-390	Increment Weight
77 D			Removed 3/03
77 E	1	GH030207	Weight Selector Pin
77 F	1	FB130208	Bearing Sleeve .68 x .81 1.00 L
77 G	2	HC702817	SHCS .375-16 x 1.00
77 H	2	HC702828	SHCS .375-16 x 2.25
77 I	4	HN704901	Nylon Locknut .375-16
77 J	4	HS347600	Washer, SAE .375
77 K	3	HY740000	Set Screw
77 L	1	4605-424	Caution Decal
77 M	1	4700-240	Weight Mount
77 N	2	4700-318	Increment Weight Rod
77 O	1	4700-319	Frame Mount Increment Weight
77 P	1	4701-001	Top Weight Guide
77 Q	2	4700-321	Rubber Washer
77 R	2	JC702820	SHCS .375-16 x 1.25
77 S	2	HS348300	Split Lockwasher .375
77 T	1	4700-238	Top Weight
77 U	3	HC702816	SHCS .375-16 x .875
78	1	5221-316	Seat Adjustment Decal
79	3	4605-394	Belt Clamp
80			Not Used
81			Not Used
82			Removed 5/99
83			Not Used
84	2	FB130212	Flange Bearing .75 x .88 x .75 L
85	1	PP460012	Textured Knob .375-16 (male)
86	12	08017	Retaining Ring .375
87	2	HS347700	Washer .375 USS
88	1	4507-201	Slide
89	1	4507-202	Stop (RH)
90	1	4507-203	Stop (LH)
91	1	4507-310	Flat Washer .647 x 1.250 x .105 T
92	1	HP707017	Stud .375-16 x 1.00 L
93	1	JC700914	FHSCS .375-16 x .62
94	1	PP090208	Plastic Insert
95	1	5221-319	Caution Decal
96	2	HF449063	Connector Insert .75 x .25-20
97	2	PP080207	Plastic Insert .437 Dia x 11 G
98	1	4605-512	Plastic Insert
99	1	4506-313	Adjusting Decal
100	1	4701-302	VR2 Weight Stack Instr. (not shown)
101	1	4520-213	Bracket
102	1	4520-362	Caution Decal
103	2	HS347700	Washer USS .375
104	2	JC702812	SHCS .375-16 x .50
105	14	4000C101	Stack Weight 4 x 18 (not shown)
106	2	4000Y316	Caution Decal
107	4	JS347400	Internal Tooth Lockwasher .375
108	2	11090-376	Handle Grip Ring

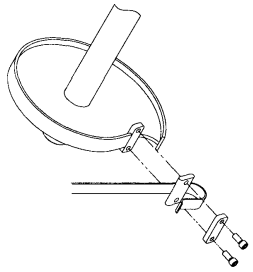
CHEST PRESS - DUAL AXIS - 4507



TOP WEIGHT DETAIL



BELT CLAMPING DETAIL



BELT ROUTING DETAIL

